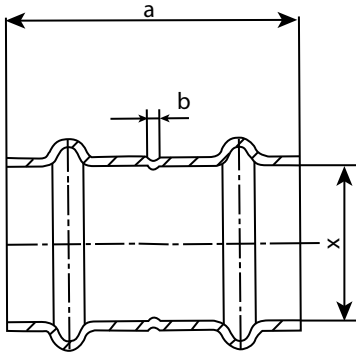
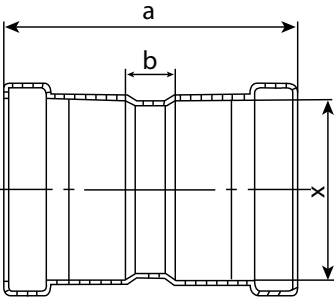


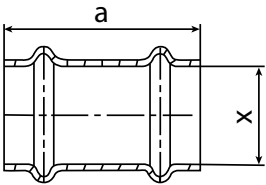
SECTION 11. COPPER PRESS FITTINGS LIST



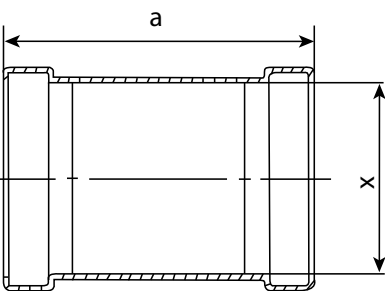
| COUPLING | | | | | | |
|----------|-----------------------|---------------------|--------------------|----|---|----|
| DN | WATER PART NO. & CODE | GAS PART NO. & CODE | HT PART NO. & CODE | a | b | x |
| 15MM | 165001 RCPWC15 | 167001 RCPGC15 | 166101 RCPHTC15 | 38 | 2 | 15 |
| 20MM | 165002 RCPWC20 | 167002 RCPGC20 | 166102 RCPHTC20 | 47 | 2 | 20 |
| 25MM | 165003 RCPWC25 | 167003 RCPGC25 | | 48 | 2 | 25 |
| 32MM | 165004 RCPWC32 | 167004 RCPGC32 | | 54 | 3 | 32 |
| 40MM | 165005 RCPWC40 | 167005 RCPGC40 | | 66 | 3 | 40 |
| 50MM | 165006 RCPWC50 | 167006 RCPGC50 | | 82 | 3 | 50 |



| COUPLING | | | | | | |
|----------|-----------------------|---------------------|--------------------|-----|----|-----|
| DN | WATER PART NO. & CODE | GAS PART NO. & CODE | HT PART NO. & CODE | a | b | x |
| 65MM | 165007 RCPWC65 | 167007 RCPGC65 | | 108 | 20 | 65 |
| 80MM | 165008 RCPWC80 | 167008 RCPGC80 | | 122 | 20 | 80 |
| 100MM | 165009 RCPWC100 | 167009 RCPGC100 | | 148 | 28 | 100 |

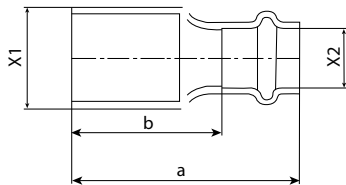
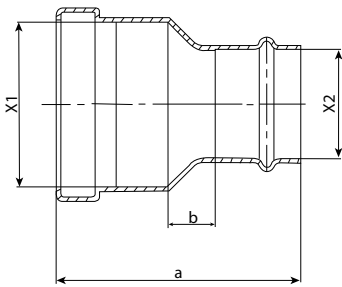
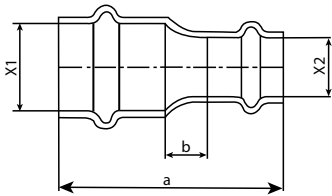


| SLIP COUPLING | | | | | | |
|---------------|-----------------------|---------------------|----------------------|----|--|----|
| DN | WATER PART NO. & CODE | GAS PART NO. & CODE | HT PART NO. & CODE | a | | x |
| 15MM | 165020 RCPWSLC15 | 167020 RCPGSLC15 | 166105 RCPHTSLC15 | 38 | | 15 |
| 20MM | 165021 RCPWSLC20 | 167021 RCPGSLC20 | 166106 RCPHTSLC20 | 50 | | 20 |
| 25MM | 165022 RCPWSLC25 | 167022 RCPGSLC25 | | 50 | | 25 |
| 32MM | 165023 RCPWSLC32 | 167023 RCPGSLC32 | | 58 | | 32 |
| 40MM | 165024 RCPWSLC40 | 167024 RCPGSLC40 | | 66 | | 40 |
| 50MM | 165025 RCPWSLC50 | 167025 RCPGSLC50 | | 82 | | 50 |



| SLIP COUPLING | | | | | | |
|---------------|-----------------------|----------------------|--------------------|-----|--|-----|
| DN | WATER PART NO. & CODE | GAS PART NO. & CODE | HT PART NO. & CODE | a | | x |
| 65MM | 165026 RCPWSLC65 | 167026 RCPGSLC65 | | 108 | | 65 |
| 80MM | 165027 RCPWSLC80 | 167027 RCPGSLC80 | | 122 | | 80 |
| 100MM | 165028 RCPWSLC100 | 167028 RCPGSLC100 | | 148 | | 100 |

SECTION 11. COPPER PRESS FITTINGS LIST

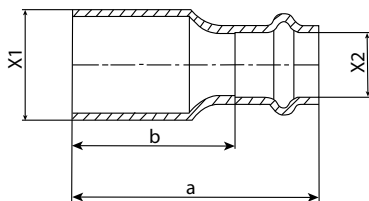


| REDUCING COUPLING | | | | | | |
|-------------------|-----------------------|----------------------|------|------|----|----|
| DN | WATER PART NO. & CODE | GAS PART NO. & CODE | a | b | X1 | X2 |
| 20-15 | 165160 RCPWRC2015 | 163160 RCPGRC2015 | 48.5 | 9 | 20 | 15 |
| 25-15 | 165161 RCPWRC2515 | 163161 RCPGRC2515 | 55 | 15.5 | 25 | 15 |
| 25-20 | 165162 RCPWRC2520 | 163162 RCPGRC2520 | 54 | 8 | 25 | 20 |
| 32-25 | 165163 RCPWRC3225 | 163163 RCPGRC3225 | 58 | 9 | 32 | 25 |
| 40-25 | 165164 RCPWRC4025 | 163164 RCPGRC4025 | 68 | 13.5 | 40 | 25 |
| 40-32 | 165165 RCPWRC4032 | 163165 RCPGRC4032 | 67 | 9 | 40 | 32 |
| 50-25 | 165166 RCPWRC5025 | 163166 RCPGRC5025 | 84 | 21 | 50 | 25 |
| 50-32 | 165167 RCPWRC5032 | 163167 RCPGRC5032 | 83 | 17 | 50 | 32 |

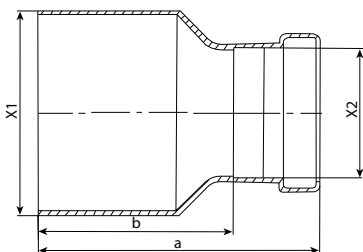
| REDUCING COUPLING | | | | | | |
|-------------------|-----------------------|----------------------|-----|----|----|----|
| PART NO | WATER PART NO. & CODE | GAS PART NO. & CODE | a | b | X1 | X2 |
| 65-32 | 165169 RCPWRC6532 | | 94 | 25 | 65 | 32 |
| 65-50 | 165171 RCPWRC6550 | 167171 RCPGRC6550 | 100 | 17 | 65 | 50 |
| 80-50 | 165173 RCPWRC8050 | | 114 | 22 | 80 | 50 |

| REDUCER | | | | | | |
|---------|-----------------------|-----------------------|----|------|----|----|
| DN | WATER PART NO. & CODE | GAS PART NO. & CODE | a | b | X1 | X2 |
| 20-15 | 165190 RCPWRMF2015 | 167190 RCPGRMF2015 | 50 | 33.5 | 20 | 15 |
| 25-15 | 165191 RCPWRMF2515 | 167191 RCPGRMF2515 | 55 | 38.5 | 25 | 15 |
| 25-20 | 165192 RCPWRMF2520 | 167192 RCPGRMF2520 | 55 | 32 | 25 | 20 |
| 32-20 | 165193 RCPWRMF3220 | 167193 RCPGRMF3220 | 64 | 41 | 32 | 20 |
| 32-25 | 165194 RCPWRMF3225 | 167194 RCPGRMF3225 | 62 | 39 | 32 | 25 |
| 40-25 | 165195 RCPWRMF4025 | 167195 RCPGRMF4025 | 71 | 48 | 40 | 25 |
| 40-32 | 165196 RCPWRMF4032 | 167196 RCPGRMF4032 | 69 | 42 | 40 | 32 |
| 50-25 | 165197 RCPWRMF5025 | 167197 RCPGRMF5025 | 85 | 62 | 50 | 25 |
| 50-32 | 165198 RCPWRMF5032 | 167198 RCPGRMF5032 | 86 | 60 | 50 | 32 |
| 50-40 | 165199 RCPWRMF5040 | 167199 RCPGRMF5040 | 88 | 56 | 50 | 40 |

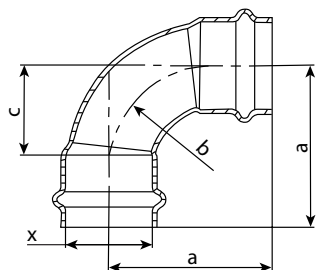
SECTION 11. COPPER PRESS FITTINGS LIST



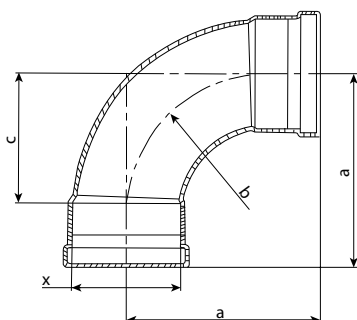
| REDUCER | | | | | |
|---------|-----------------------|-----|----|----|----|
| DN | WATER PART NO. & CODE | a | b | X1 | X2 |
| 65-40 | 165200 RCPWRMF6540 | 102 | 70 | 65 | 40 |
| 65-50 | 165201 RCPWRMF6550 | 104 | 64 | 65 | 50 |
| 80-50 | 165202 RCPWRMF8050 | 120 | 80 | 80 | 50 |



| REDUCER | | | | | |
|----------|------------------------|-----|----|-----|----|
| DN | WATER PART NO. & CODE | a | b | X1 | X2 |
| 100-65MM | 165205 RCPWRMF10065 | 140 | 97 | 100 | 65 |

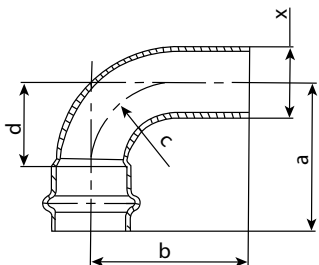


| ELBOW | | | | | | | |
|-------|-----------------------|---------------------|--------------------|------|------|------|----|
| DN | WATER PART NO. & CODE | GAS PART NO. & CODE | HT PART NO. & CODE | a | b | c | x |
| 15MM | 165030 RCPWE15 | 167030 RCPGE15 | 162115 RCPH-TE15 | 30 | 15.2 | 13.5 | 15 |
| 20MM | 165031 RCPWE20 | 167031 RCPGE20 | 162116 RCPH-TE20 | 42 | 22.8 | 19 | 20 |
| 25MM | 165032 RCPWE25 | 167032 RCPGE25 | | 53.5 | 30.5 | 30.5 | 25 |
| 32MM | 165033 RCPWE32 | 167033 RCPGE32 | | 59 | 38.2 | 33 | 32 |
| 40MM | 165034 RCPWE40 | 167034 RCPGE40 | | 76 | 45.7 | 44.5 | 40 |
| 50MM | 165035 RCPWE50 | 167035 RCPGE50 | | 97 | 61 | 57 | 50 |

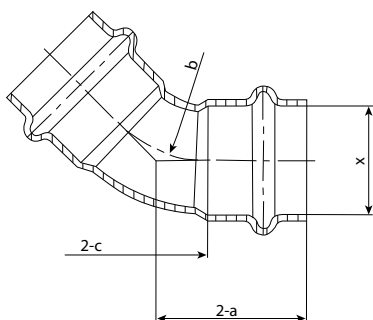


| ELBOW | | | | | | |
|-------|-----------------------|---------------------|-----|-------|------|-----|
| DN | WATER PART NO. & CODE | GAS PART NO. & CODE | a | b | c | x |
| 65MM | 165036 RCPWE65 | 167036 RCPGE65 | 121 | 76.4 | 76.4 | 65 |
| 80MM | 165037 RCPWE80 | 167037 RCPGE80 | 147 | 95.1 | 95 | 80 |
| 100MM | 165038 RCPWE100 | 167038 RCPGE100 | 180 | 132.1 | 120 | 100 |

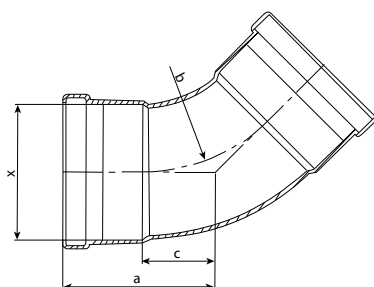
SECTION 11. COPPER PRESS FITTINGS LIST



| ELBOW M + F | | | | | | | |
|-------------|-----------------------|---------------------|------|------|------|------|----|
| DN | WATER PART NO. & CODE | GAS PART NO. & CODE | a | b | c | d | x |
| 15MM | 165050 RCPWEMF15 | 167050 RCPGEMF15 | 30 | 36 | 15.2 | 13.5 | 15 |
| 20MM | 165051 RCPWEMF20 | 167051 RCPGEMF20 | 42 | 48 | 22.8 | 19 | 20 |
| 25MM | 165052 RCPWEMF25 | 167052 RCPGEMF25 | 53.5 | 56.5 | 30.5 | 30.5 | 25 |
| 32MM | 165053 RCPWEMF32 | 167053 RCPGEMF32 | 64.2 | 66.2 | 38.2 | 38.2 | 32 |
| 40MM | 165054 RCPWEMF40 | 167054 RCPGEMF40 | 76 | 79.7 | 45.7 | 44.5 | 40 |

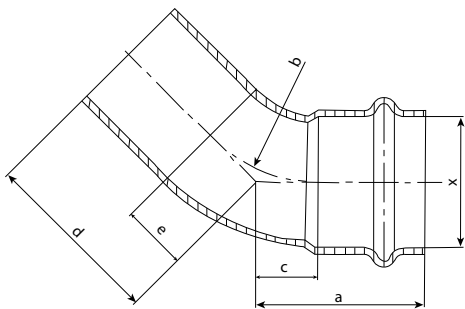


| 45° ELBOW | | | | | | |
|-----------|-----------------------|---------------------|------|------|------|----|
| DN | WATER PART NO. & CODE | GAS PART NO. & CODE | a | b | c | x |
| 15MM | 165070 RCPW45E15 | 167070 RCPG45E15 | 24 | 15.2 | 7.5 | 15 |
| 20MM | 165071 RCPW45E20 | 167071 RCPG45E20 | 31.4 | 22.8 | 8.4 | 20 |
| 25MM | 165072 RCPW45E25 | 167072 RCPG45E25 | 35 | 30.5 | 12 | 25 |
| 32MM | 165073 RCPW45E32 | 167073 RCPG45E32 | 31 | 38.2 | 15 | 32 |
| 40MM | 165074 RCPW45E40 | 167074 RCPG45E40 | 50.4 | 45.7 | 18.9 | 40 |
| 50MM | 165075 RCPW45E50 | 167075 RCPG45E50 | 65.3 | 61 | 25.3 | 50 |

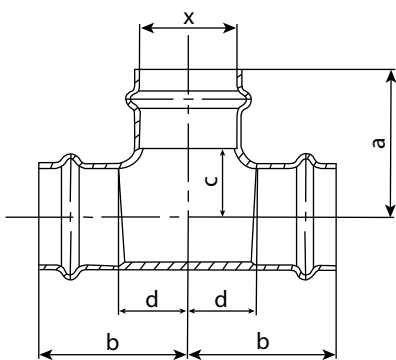


| 45° ELBOW | | | | | | |
|-----------|-----------------------|---------------------|-------|-------|------|-----|
| DN | WATER PART NO. & CODE | GAS PART NO. & CODE | a | b | c | x |
| 65MM | 165076 RCPW45E65 | 167076 RCPG45E65 | 75.5 | 76.4 | 31.6 | 65 |
| 80MM | 165077 RCPW45E80 | | 89.2 | 95.1 | 37.2 | 80 |
| 100MM | 165078 RCPW45E100 | | 114.7 | 132.1 | 54.7 | 100 |

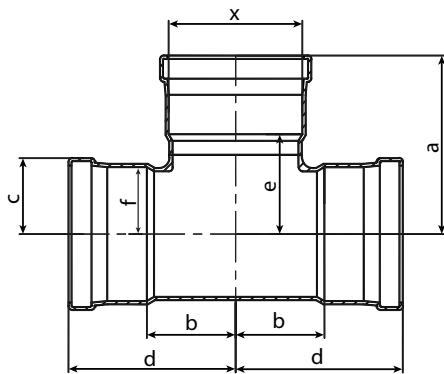
SECTION 11. COPPER PRESS FITTINGS LIST



| 45° ELBOW M + F | | | | | | | | |
|-----------------|-----------------------|-----------------------|------|------|------|------|------|----|
| DN | WATER PART NO. & CODE | GAS PART NO. & CODE | a | b | c | d | e | x |
| 15MM | 165090 RCPW45EMF15 | 167090 RCPG45EMF15 | 24 | 15.2 | 7.5 | 27.3 | 6.3 | 15 |
| 20MM | 165091 RCPW45EMF20 | 167091 RCPG45EMF20 | 31.4 | 22.8 | 8.4 | 34.5 | 9.5 | 20 |
| 25MM | 165092 RCPW45EMF25 | 167092 RCPG45EMF25 | 35 | 30.5 | 12 | 37.6 | 12.6 | 25 |
| 32MM | 165093 RCPW45EMF32 | 167093 RCPG45EMF32 | 31 | 38.2 | 15 | 43.8 | 15.8 | 32 |
| 40MM | 165094 RCPW45EMF40 | 167904 RCPG45EMF40 | 50.4 | 45.7 | 18.9 | 52.4 | 18.9 | 40 |
| 50MM | 165095 RCPW45EMF50 | 167905 RCPG45EMF50 | 65.3 | 61 | 25.3 | 67.3 | 25.3 | 50 |

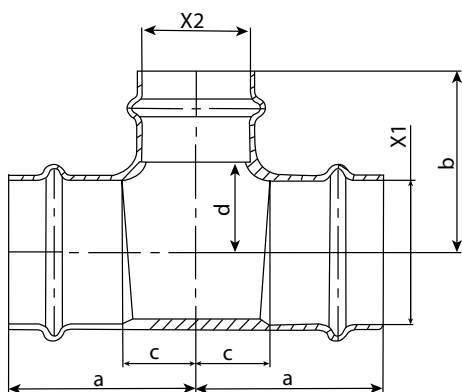


| EQUAL TEE | | | | | | | | | |
|-----------|-----------------------|---------------------|--------------------|------|------|------|------|----|--|
| DN | WATER PART NO. & CODE | GAS PART NO. & CODE | HT PART NO. & CODE | a | b | c | d | x | |
| 15MM | 161110 RCPWET15 | 167110 RCPGET15 | RCPHTET15 | 28 | 31 | 11.5 | 14.5 | 15 | |
| 20MM | 161111 RCPWET20 | 167111 RCPGET20 | RCPHTET20 | 36 | 39 | 13 | 15.1 | 20 | |
| 25MM | 161112 RCPWET25 | 167112 RCPGET25 | | 41.5 | 43 | 18.5 | 19.1 | 25 | |
| 32MM | 161113 RCPWET32 | 167113 RCPGET32 | | 48.5 | 48.5 | 22.5 | 22.5 | 32 | |

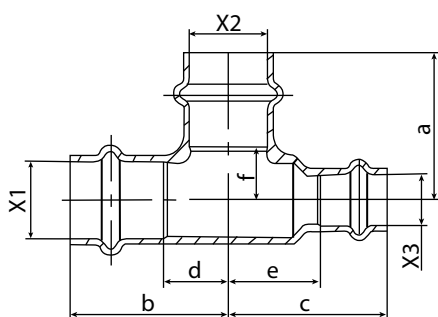


| EQUAL TEE LARGE | | | | | | | | | |
|-----------------|-----------------------|---------------------|-------|------|------|-----|------|------|-----|
| DN | WATER PART NO. & CODE | GAS PART NO. & CODE | a | b | c | d | e | f | x |
| 65MM | 161115 RCPWET65 | 167115 RCPGET65 | 97.8 | 44.4 | 39.1 | 89 | 54.8 | 34.3 | 65 |
| 80MM | 161116 RCPWET80 | 167116 RCPGET80 | 112 | 48 | 45.1 | 100 | 60.8 | 40.5 | 80 |
| 100MM | 161117 RCPWET100 | 167117 RCPGET100 | 136.2 | 68 | 58 | 128 | 76.2 | 53.7 | 100 |

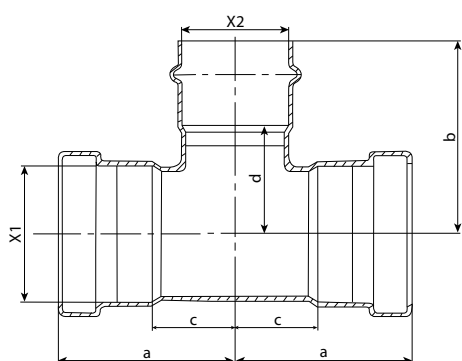
SECTION 11. COPPER PRESS FITTINGS LIST



| REDUCING TEE | | | | | | | | |
|--------------|------------------------|------------------------|------|------|------|------|----|----|
| DN | WATER PART NO. & CODE | GAS PART NO. & CODE | a | b | c | d | x1 | x2 |
| 20X20X(15) | 165130 RCPWRT202015 | 167130 RCPGRT202015 | 36.5 | 32 | 13.5 | 15.5 | 20 | 15 |
| 25X25X(15) | 165133 RCPWRT252515 | 167133 RCPGRT252515 | 36.5 | 35.5 | 13.5 | 19 | 25 | 15 |
| 25X25X(20) | 165134 RCPWRT252520 | 167134 RCPGRT252520 | 39.5 | 40.5 | 16.5 | 17.5 | 25 | 20 |
| 32X32X(15) | 165135 RCPWRT323215 | 167135 RCPGRT323215 | 40 | 39.5 | 14 | 23 | 32 | 15 |
| 32X32X(20) | 165136 RCPWRT323220 | 167136 RCPGRT323220 | 43.5 | 43.5 | 17.5 | 20.5 | 32 | 20 |
| 32X32X(25) | 165137 RCPWRT323225 | 167137 RCPGRT323225 | 48.5 | 45.5 | 22.5 | 22.5 | 32 | 25 |
| 40X40X(20) | 165138 RCPWRT404020 | 167138 RCPGRT404020 | 46.5 | 47.5 | 14.5 | 24.5 | 40 | 20 |
| 40X40X(25) | 165139 RCPWRT404025 | 167139 RCPGRT404025 | 51.5 | 50.5 | 19.5 | 27.5 | 40 | 25 |
| 40X40X(32) | 165140 RCPWRT404032 | 167140 RCPGRT404032 | 55 | 52 | 23.5 | 26 | 40 | 32 |
| 50X50X(25) | 165141 RCPWRT505025 | 167141 RCPGRT505025 | 59.5 | 57.5 | 19.5 | 34.5 | 50 | 25 |
| 50X50X(40) | 165142 RCPWRT505040 | 167142 RCPGRT505040 | 66 | 64 | 26 | 32 | 50 | 40 |

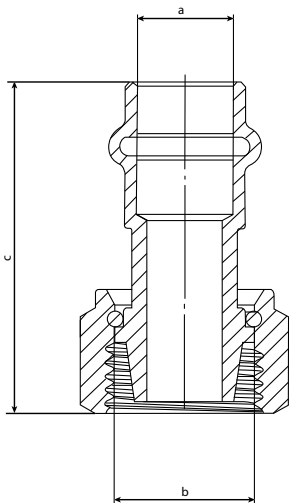
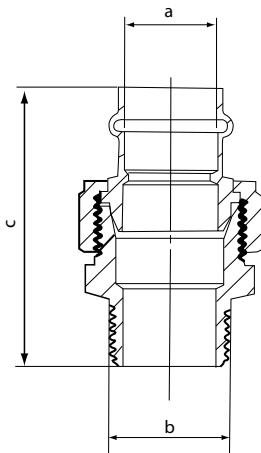
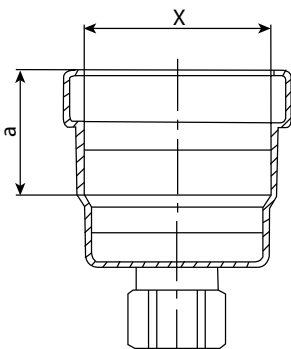
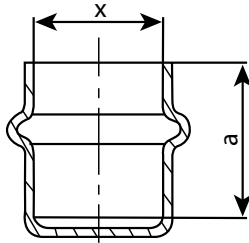


| REDUCING TEE | | | | | | | | | | | |
|--------------|------------------------|------------------------|----|------|------|------|------|------|----|----|----|
| DN | WATER PART NO. & CODE | GAS PART NO. & CODE | a | b | c | d | e | f | x1 | x2 | x3 |
| 20X15X(20) | 165131 RCPWRT201520 | 167131 RCPGRT201520 | 36 | 39 | 39 | 16 | 22.5 | 13 | 20 | 20 | 15 |
| 20X15X(15) | 165132 RCPWRT201515 | 167132 RCPGRT201515 | 32 | 36.5 | 36.3 | 13.5 | 19.8 | 15.5 | 20 | 15 | 15 |



| REDUCING TEE | | | | | | | | |
|--------------|------------------------|------------------------|----|----|----|----|----|----|
| DN | WATER PART NO. & CODE | GAS PART NO. & CODE | a | b | c | d | x1 | x2 |
| 65X65X(50) | 165143 RCPWRT656550 | 167143 RCPGRT656550 | 84 | 92 | 41 | 52 | 65 | 50 |
| 80X80X(50) | 165144 RCPWRT808050 | | 89 | 98 | 37 | 58 | 80 | 50 |

SECTION 11. COPPER PRESS FITTINGS LIST



| END CAP | | | | | |
|---------|-----------------------|---------------------|---------------------|------|----|
| DN | WATER PART NO. & CODE | GAS PART NO. & CODE | HT PART NO & CODE | a | x |
| 15MM | 165220 RCPWEC15 | 167220 RCPGEC15 | 162125 RCPHTEC15 | 16.5 | 15 |
| 20MM | 165221 RCPWEC20 | 167221 RCPGEC20 | | 23 | 20 |
| 25MM | 165222 RCPWEC25 | 167222 RCPGEC25 | | 23 | 25 |
| 32MM | 165223 RCPWEC32 | 167223 RCPGEC32 | | 26 | 32 |
| 40MM | 165224 RCPWEC40 | 167224 RCPGEC40 | | 32 | 40 |
| 50MM | 165225 RCPWEC50 | 167225 RCPGEC50 | | 40 | 50 |

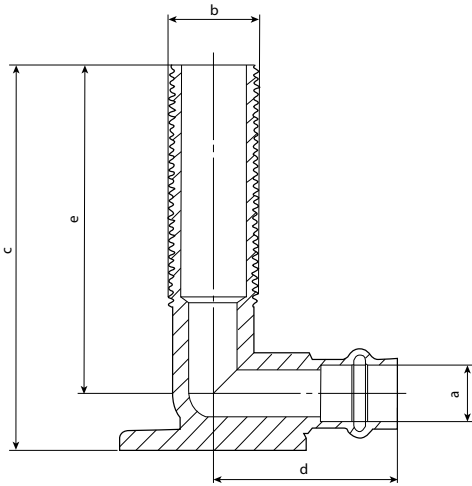
| END CAP | | | | |
|---------|-----------------------|--|----|-----|
| DN | WATER PART NO. & CODE | | a | x |
| 65MM | 165226 RCPWEC65 | | 43 | 65 |
| 80MM | 165227 RCPWEC80 | | 52 | 80 |
| 100MM | 165228 RCPWEC100 | | 60 | 100 |

| SWIVEL UNION MALE | | | | |
|-------------------|-----------------------|------|--------|------|
| DN | WATER PART NO. & CODE | a | b | c |
| 25MM | 165297 RCPWMSU2525 | 25.8 | 1" | 78 |
| 32MM | 165298 RCPWMSU3232 | 32.2 | 1-1/4" | 80 |
| 40MM | 165299 RCPWMSU4040 | 38.5 | 1-1/2" | 88.5 |

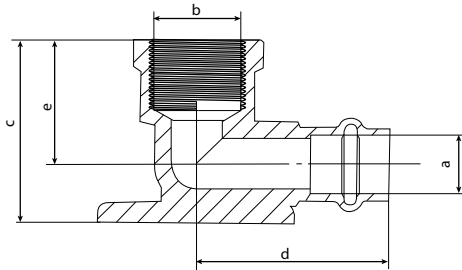
| SWIVEL NUT CONNECTOR | | | | | |
|----------------------|-----------------------|-----------------------|-------|---------|------|
| DN | WATER PART NO. & CODE | GAS PART NO. & CODE | a | b | c |
| 15MM | 165285 RCPWSNF1515 | 167285 RCPGSNF1515 | 12.85 | G1/2-14 | 44 |
| 20MM | 165286 RCPWSNF2020 | 167286 RCPGSNF2020 | 19.25 | G3/4-14 | 53.6 |

SECTION 11.

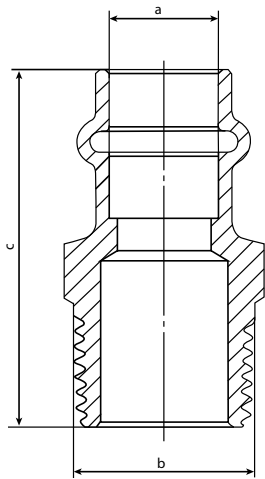
COPPER PRESS FITTINGS LIST



| MALE LUGGED ELBOW | | | | | | | |
|-------------------|------------------------|------------------------|-------|------|-----|----|----|
| DN | WATER PART NO. & CODE | GAS PART NO. & CODE | a | b | c | d | e |
| 1/2" X 75MM | 165278 RCPWWM151575 | 167278 RCPGWM151575 | 12.85 | 1/2" | 88 | 42 | 75 |
| 1/5" X 90MM | 165249 RCPWWM151590 | 167249 RCPGWM151590 | 12.85 | 1/2" | 103 | 42 | 90 |



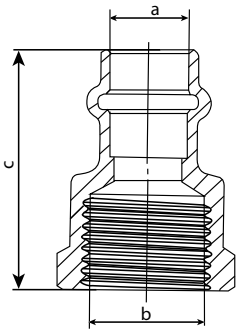
| FEMALE LUGGED ELBOW | | | | | | | |
|---------------------|-----------------------|----------------------|-------|------|------|----|------|
| DN | WATER PART NO. & CODE | GAS PART NO. & CODE | a | b | c | d | e |
| 15MM | 165268 RCPWWF1515 | 167268 RCPGWF1515 | 12.85 | 1/2" | 40 | 42 | 27 |
| 20MM | 165269 RCPWWF2020 | 167273 RCPGWF2020 | 19.25 | 3/4" | 43.5 | 46 | 29.5 |



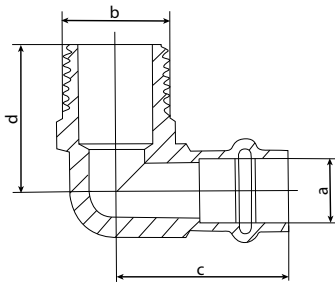
| MALE STRAIGHT CONNECTOR | | | | | | |
|-------------------------|-----------------------|-----------------------|------------------------|-------|--------|------|
| DN | WATER PART NO. & CODE | GAS PART NO. & CODE | HT PART NO. & CODE | a | b | c |
| 15MM | 165245 RCPWMSC1515 | 167245 RCPGMSC1515 | 166134 RCPHTMSC1515 | 12.85 | 1/2" | 42 |
| 20MM | 165248 RCPWMSC2020 | 167248 RCPGMSC2020 | | 19.25 | 3/4" | 48 |
| 25MM | 165247 RCPWMSC2525 | 167250 RCPGMSC2525 | | 25.8 | 1" | 52.5 |
| 32MM | 165248 RCPWMSC3232 | 167251 RCPGMSC3232 | | 32.2 | 1-1/4" | 56.5 |
| 40MM | 165252 RCPWMSC4040 | 167252 RCPGMSC4040 | | 38.5 | 1-1/2" | 64.5 |
| 50MM | 165253 RCPWMSC5050 | 167253 RCPGMSC5050 | | 51.3 | 2" | 78 |
| 15-3/4" | 165246 RCPWMSC1520 | 167246 RCPGMSC1520 | | 12.85 | 3/4" | 16 |
| 20-1/2" | 165247 RCPWMSC2015 | 167247 RCPGMSC2015 | | 19.25 | 1/2" | 44.5 |
| 25-3/4" | 165248 RCPWMSC2520 | 167249 RCPGMSC2520 | | 25.8 | 3/4" | 47 |

SECTION 11.

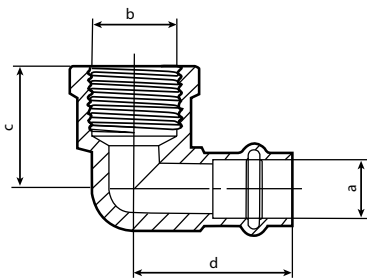
COPPER PRESS FITTINGS LIST



| FEMALE STRAIGHT CONNECTOR | | | | | |
|---------------------------|-----------------------|-----------------------|-------|--------|----|
| DN | WATER PART NO. & CODE | GAS PART NO. & CODE | a | b | c |
| 15MM | 165235 RCPWFSC1515 | 167235 RCPGFSC1515 | 12.85 | 1/2" | 39 |
| 20MM | 165236 RCPWFSC2020 | 167236 RCPGFSC2020 | 19.25 | 3/4" | 44 |
| 25MM | 165237 RCPWFSC2525 | 167237 RCGFSC2525 | 25.8 | 1" | 48 |
| 32MM | 165238 RCPWFSC3232 | 167238 RCPGFSC3232 | 32.2 | 1-1/4" | 52 |
| 40MM | 165239 RCPWFSC4040 | 167239 RCPGFSC4040 | 38.5 | 1-1/2" | 58 |



| MALE ELBOW | | | | | | |
|------------|-----------------------|----------------------|-------|------|------|----|
| DN | WATER PART NO. & CODE | GAS PART NO. & CODE | a | b | c | d |
| 20-1/2" | 165258 RCPWME2020 | 167258 RCPGME2020 | 19.25 | 3/4" | 40.5 | 34 |



| FEMALE ELBOW | | | | | | |
|--------------|-----------------------|----------------------|-------|------|----|----|
| DN | WATER CODE NO. & CODE | GAS CODE NO. & CODE | a | b | c | d |
| 20-3/4" | 165262 RCPWFE2020 | 167262 RCPGFE2020 | 19.25 | 3/4" | 31 | 42 |